

## Specification sheet LX 1493

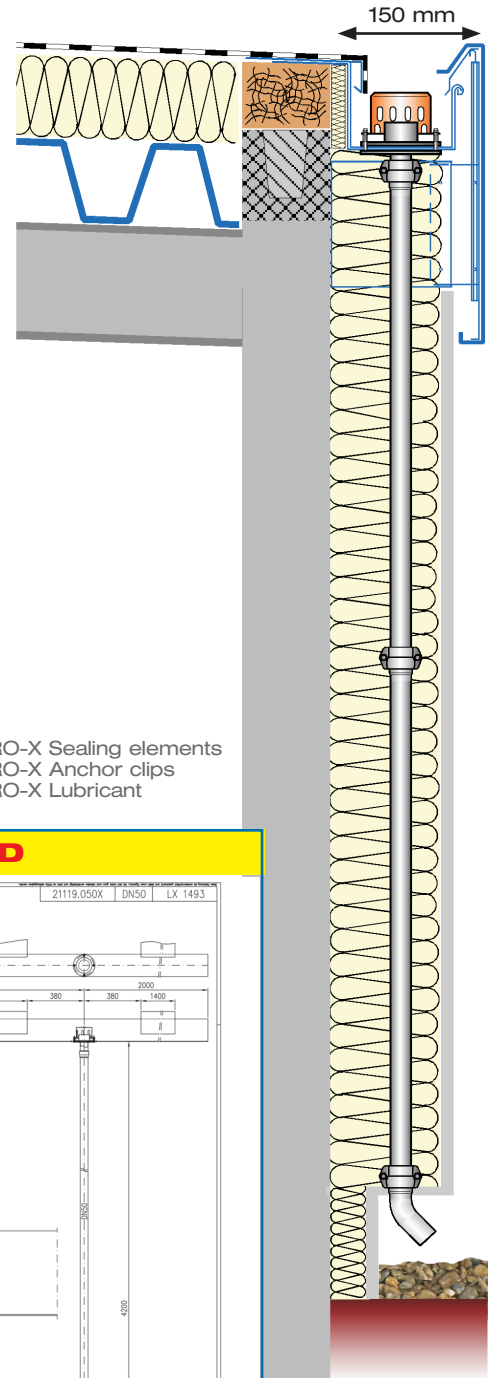
### Roof drainage systems LORO-DRAINLET<sup>®</sup> Mini DN 50 40 mm weir height for Box gutter from 150 mm

#### Emergency drainage

#### Gravity flow

#### Silent Power

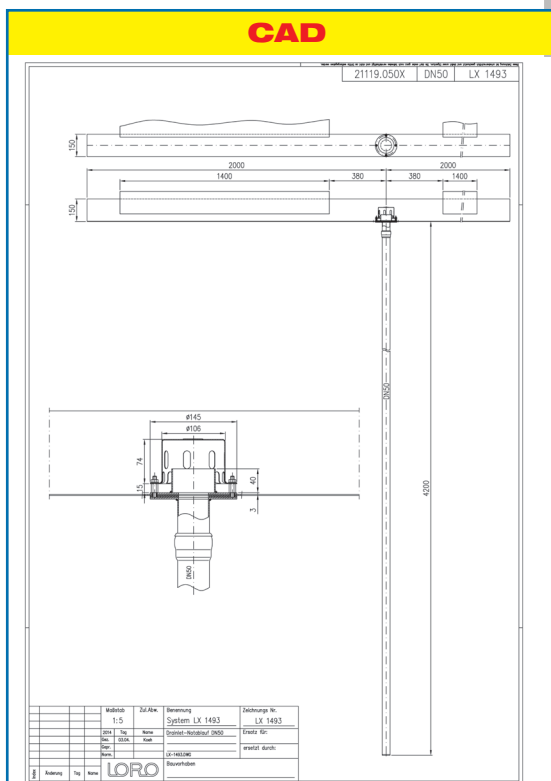
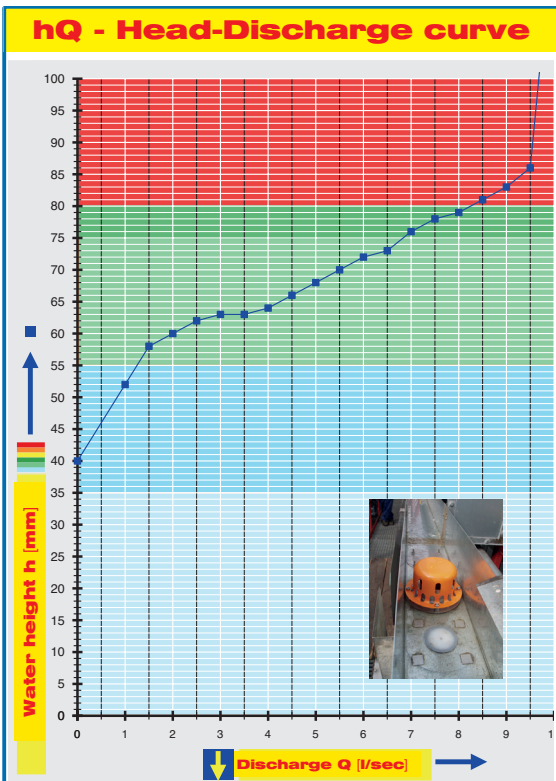
|                          |                        |
|--------------------------|------------------------|
| <b>Discharge rate:</b>   | <b>6,9 l/sec</b>       |
| <b>Water height:</b>     | <b>75 mm</b>           |
| <b>Roof penetration:</b> | <b>-</b>               |
| <b>Diameter:</b>         | <b>DN 50</b>           |
| <b>LX-Number:</b>        | <b>LX 1493</b>         |
| <b>Weir height:</b>      | <b>40 mm</b>           |
| <b>Drain:</b>            | <b>ventilated</b>      |
| <b>Downpipe:</b>         | <b>not ventilated</b>  |
| <b>Downpipe height:</b>  | <b>4,2 m</b>           |
| <b>Drainage:</b>         | <b>on floor</b>        |
| <b>Flangeform:</b>       | <b>clamping flange</b> |



#### LX 1493 Piece list

1 x Art.-No. 21119.050X, DRAINJET<sup>®</sup> Mini DN 50  
1 x Art.-No. 00320.050X, LORO-X Bend  
1 x Art.-No. 01011.050X, LORO-X Pipe with one socket

2 x Art.-No. 00911.050X, LORO-X Sealing elements  
2 x Art.-No. 00806.050X, LORO-X Anchor clips  
1 x Art.-No. 00986.000X, LORO-X Lubricant



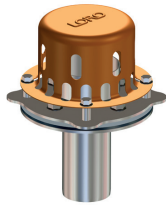
#### Systempower

#### Systemshape

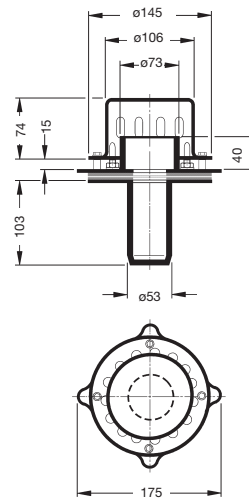
|                     |       |   |    |    |    |    |    |    |    |    |    |    |     |     |     |     |
|---------------------|-------|---|----|----|----|----|----|----|----|----|----|----|-----|-----|-----|-----|
| <b>Water height</b> | mm    | 5 | 10 | 15 | 20 | 25 | 30 | 35 | 40 | 45 | 50 | 55 | 60  | 65  | 70  | 75  |
| <b>Discharge</b>    | l/sec |   |    |    |    |    |    |    |    |    |    |    | 1,6 | 4,0 | 5,5 | 6,9 |
| <b>Silent Power</b> |       |   |    |    |    |    |    |    |    |    |    |    |     |     |     |     |

**LORO-DRAINLET® Mini, DN 50**

**LORO-X DRAINLET® Mini**  
with clamping flange with  
**weir height 40 mm,**  
**for Box gutter**  
Drain: Art.-Nr. 21119.050X



**LX1493-5X**



**LORO-X Bend 45°**,  
made of hot-dip galvanised steel, DN 50  
Art.-No. 00320.050X  
Weight: 0,4 kg



**LORO-X Rohr mit einer Muffe**  
made of hot-dip galvanised steel, DN 50  
4000 mm long Art.-No. 01011.050X  
Weight: 8,6 kg



**LORO-X Anchor clip**,  
made of hot-dip galvanised steel, DN 50  
Art.-No. 00806.050X  
Weight: 0,3 kg



**LORO-X Sealing element**  
Art.-No. 00911.050X  
Weight: 0,6 kg

